

SPS
SHALLOW WELL JET PUMP



SPI
SELF PRIMING CENTRIFUGAL PUMP



SHAKTI

THE POWER OF INNOVATION, EFFICIENCY & TECHNOLOGY.

0.5/0.75/1/1.5 HP **SPS 5/7/10/15** SHALLOW WELL JET PUMP- 60Hz

FEATURES

Designed for residential use including water supply by boosting main pipeline, farmland irrigation, etc. having a maximum suction lift of 25 feet; the shallow well jet pump has a built-in nozzle & venturi. With short time on self-priming and stable working performance the pump has variegated features which make it convenient to use.

- Ultra-modern design.
- Superior design materials & manufacturing process assures a longer life.
- Easy installation
- Dynamically balanced rotating parts to ensure minimum vibration during run time.
- Easy maintenance and spares availability.

Serviceable:

- These pumps have back pull out design enabling the removal of motor without dismantling the pump.
- Clean out plug to easily unclog nozzle in pump

SPECIFICATIONS

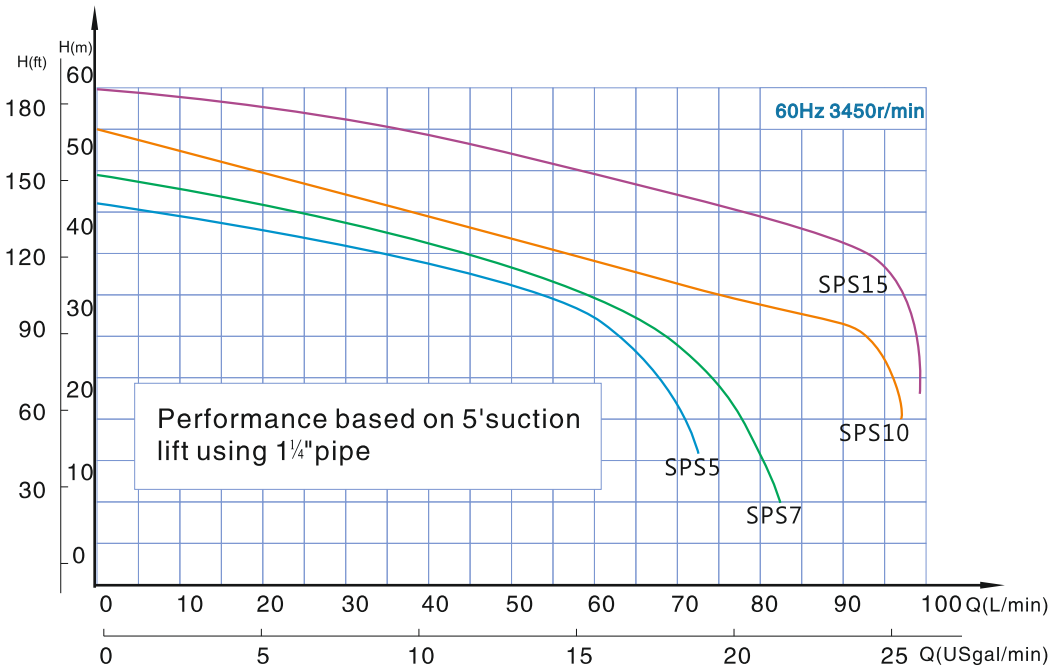
- Pipe connections : 1¼" NPT suction and 1" NPT discharge
- NEMA standard single phase motor with start/run capacitor, 60 Hz, 3450 RPM
- ½ - 1½ HP, 115/230 V capacitor start
- Single phase 3500 RPM
- Built-in overload with automatic reset
- Stainless steel shaft
- Thermoplastic impeller, diffuser, nozzle and venturi for light weight, high performance strength and impact resistance.

Maximum temperature: 140°F.

SHALLOW WELL PERFORMANCE RATINGS

HP/Model	½ HP – SPS5					¾ HP – SPS7					1 HP – SPS10					1½ HP – SPS15				
Voltage	115/230					115/230					115/230					115/230				
Total Suction Lift (feet)	Discharge Pressure – PSI					Discharge Pressure – PSI					Discharge Pressure – PSI					Discharge Pressure – PSI				
	20	30	40	50	Max. Shut off (PSI)	30	40	50	60	Max. Shut off (PSI)	30	40	50	60	Max. Shut off (PSI)	30	40	50	60	Max. Shut off (PSI)
	Gallons per minute					Gallons per minute					Gallons per minute					Gallons per minute				
5	18	17	11	5	64	21	18	12	7	70	25	24	16	10	74	27	26	25	16	80
10	16	15	9	4	61	19	17	11	5	68	23	22	16	8	72	25	25	23	14	76
15	14	13	8	4	59	17	15	9.5	4	66	20	20	14	7	70	22	21	21	13	74
20	11	11	7	3	56	14	13	8.2	2	64	17	17	12	6	68	18	18	17	12	72
25	9	8.8	6	1	54	10	9.8	6.2	1	59	12	12	10	4	65	14	14	14	10	71

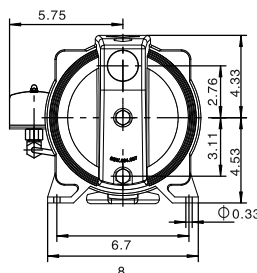
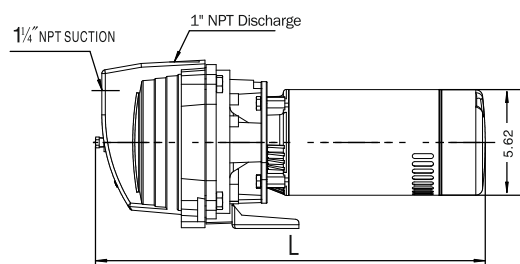
PERFORMANCE CURVE



DIMENSIONS

Model	½ HP	¾ HP	1 HP	1½ HP
Length	21	21	21	21.65

DIMENSIONAL DRAWING



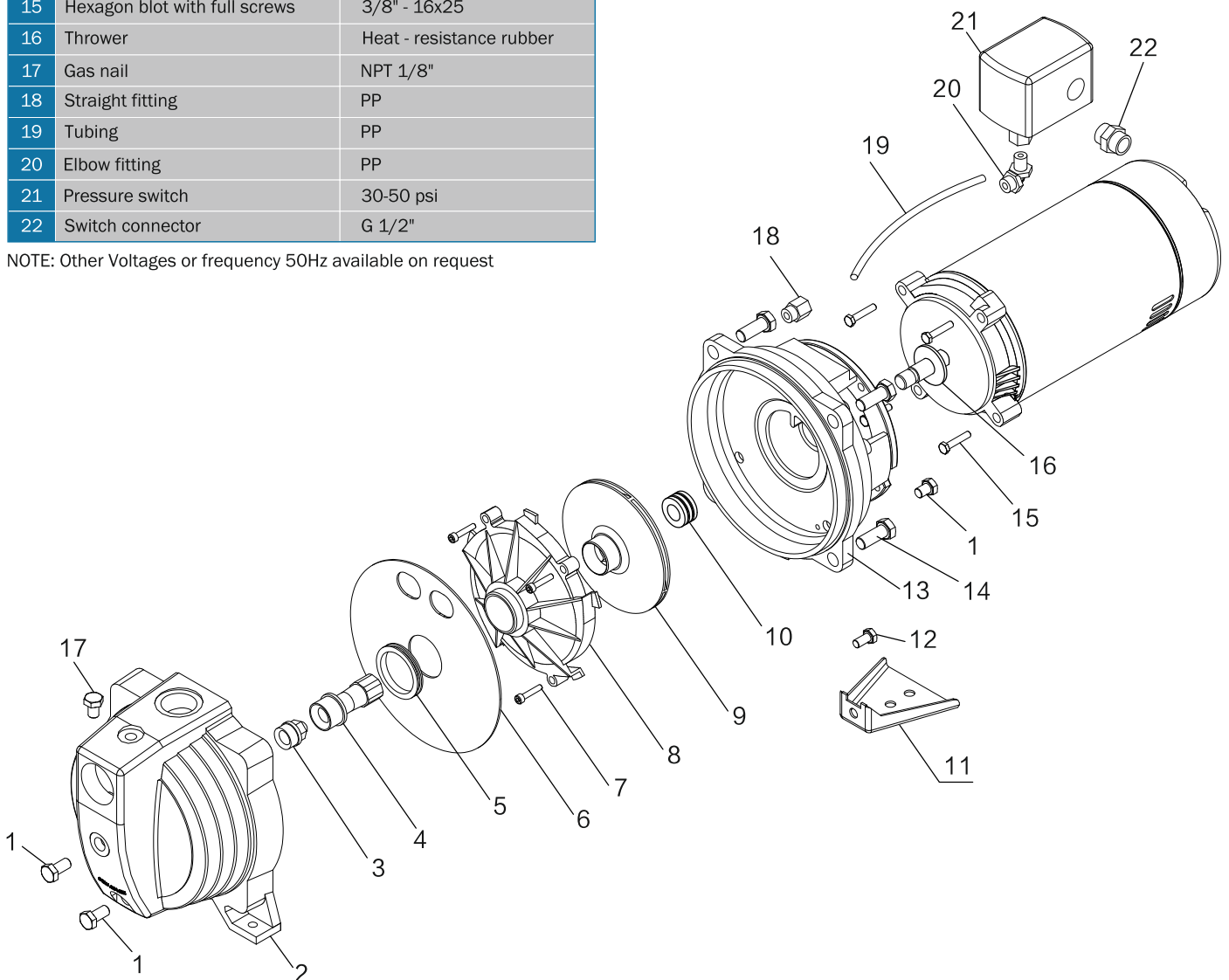
MODEL	L
SPS5G	21
SPS7G	21
SPS10G	21
SPS15G	21.65

Note : The above dimensions unit is Inch (In.)

EXPLODED DRAWING AND SPARE PARTS

1	Gas nail	NPT 1/4" , Zinc plated
2	Pump body	CF 8
3	Nozzle	ABS
4	Vanturi tube	PPO
5	Separator plate seal ring	Rubber
6	Separator plate	NBR
7	Cross recess head screw	M6X20, S.S
8	Diffuser	PPO
9	Impeller	PPO+20%GF
10	Mechanical seal	Graphite/Ceramic
11	Bracket	Cold roller steel
12	Hexagon blot with full screws	3/8" - 16x15
13	Pump cover	CF 8
14	Hexagon blot with full screws	1/2" - 13x30
15	Hexagon blot with full screws	3/8" - 16x25
16	Thrower	Heat - resistance rubber
17	Gas nail	NPT 1/8"
18	Straight fitting	PP
19	Tubing	PP
20	Elbow fitting	PP
21	Pressure switch	30-50 psi
22	Switch connector	G 1/2"

NOTE: Other Voltages or frequency 50Hz available on request



0.75/1/1.5/ 2 HP

SPI 7/10/15/20

SELF PRIMING CENTRIFUGAL PUMP- 60Hz

FEATURES

Self-Priming pump which once primed initially, designed to re-prime itself when under lift conditions. With short time on self-priming and stable working performance the pump has variegated features which make it convenient to use.

- Ultra-modern design.
- Superior design materials & manufacturing process assures a longer life.
- Easy installation
- Dynamically balanced rotating parts to ensure minimum vibration during run time.
- Easy maintenance and spares availability

Serviceable:

- The pumps have back pull out design enabling the removal of motor without dismantling the pump.

SPECIFICATIONS

- Pipe connections : 1½" NPT suction and 1½" NPT discharge
- NEMA standard single phase motor with start/run capacitor, 60 Hz, 3450 RPM
- ¾ - 2 HP, 115/230 V capacitor start
- Single phase
- 3500 RPM
- Built - in over load with automatic reset
- Thermoplastic impeller, diffuser for light weight, high performance strength and impact resistance.

Maximum temperature : 140 °F

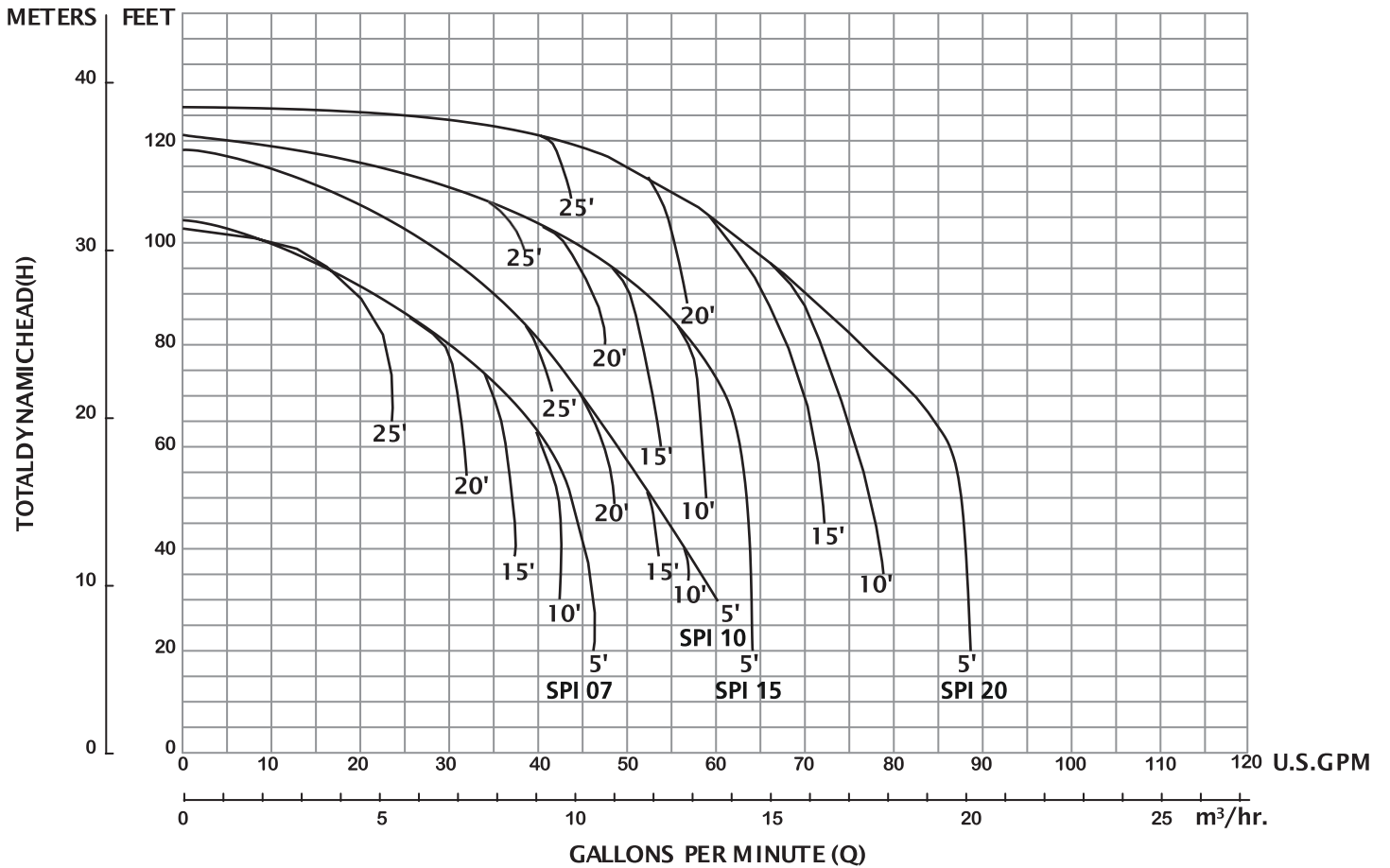
Note:

- Pump must be refilled before starting/restarting, if the pump is drained or shut off during priming period.
- Total suction lift should not exceed 25 feet of head (inclusive of pipe friction losses and elevation).
- Installation of airtight union (in the suction line close to pump) and a foot valve at liquid source is recommended

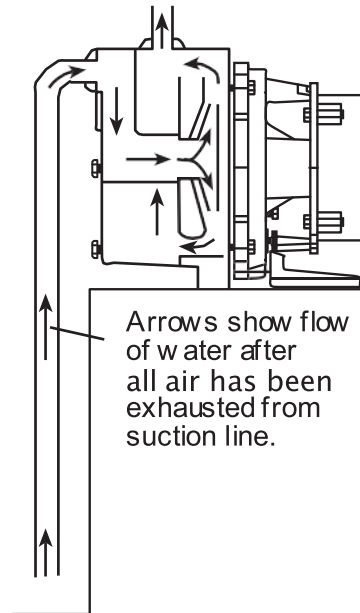
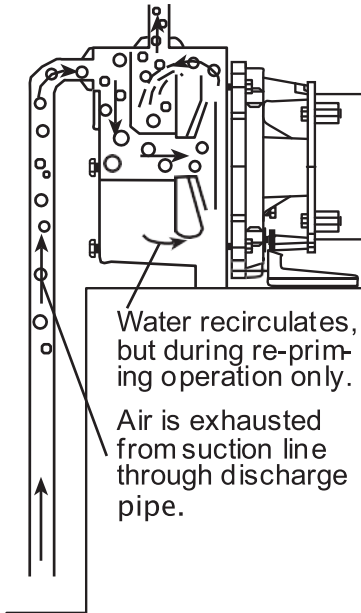
SELF PRIMING CENTRIFUGAL PERFORMANCE RATINGS

Model	PSI Discharge Pressure	Suction Lift in Feet				
		5	10	15	20	25
SPI07	20	43	40	35	30	23
	30	33	30	24	21	13
	40	10	3	0	0	0
SPI10	20	52	50	48	44	40
	30	42	40	37	35	30
	40	28	21	15	7	0
SPI15	20	64	60	55	50	40
	30	60	56	53	47	37
	40	46	39	34	22	15
SPI2	20	87	77	71	60	47
	30	81	73	69	58	45
	40	66	61	58	51	43

PERFORMANCE CURVE



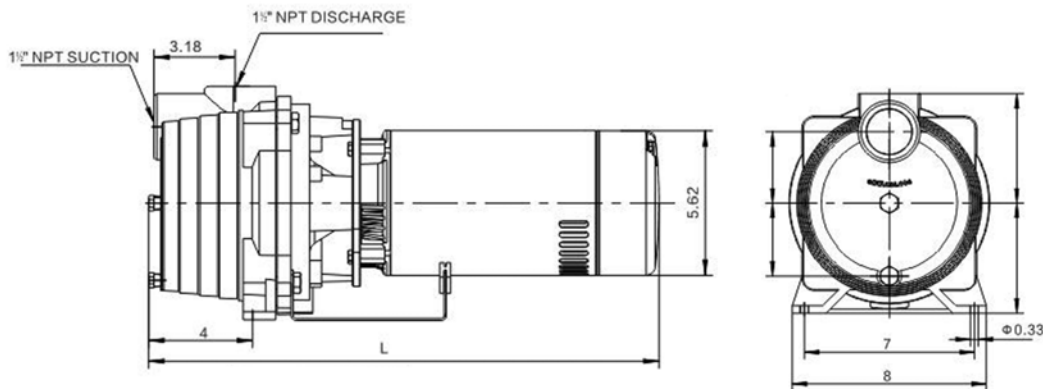
SELF PRIMING (AFTER INITIAL PRIME)



DIMENSIONS

Model	¾ HP	1 HP	1½ HP	2 HP
Length	19.69	19.69	20.5	20.5

DIMENSIONAL DRAWING



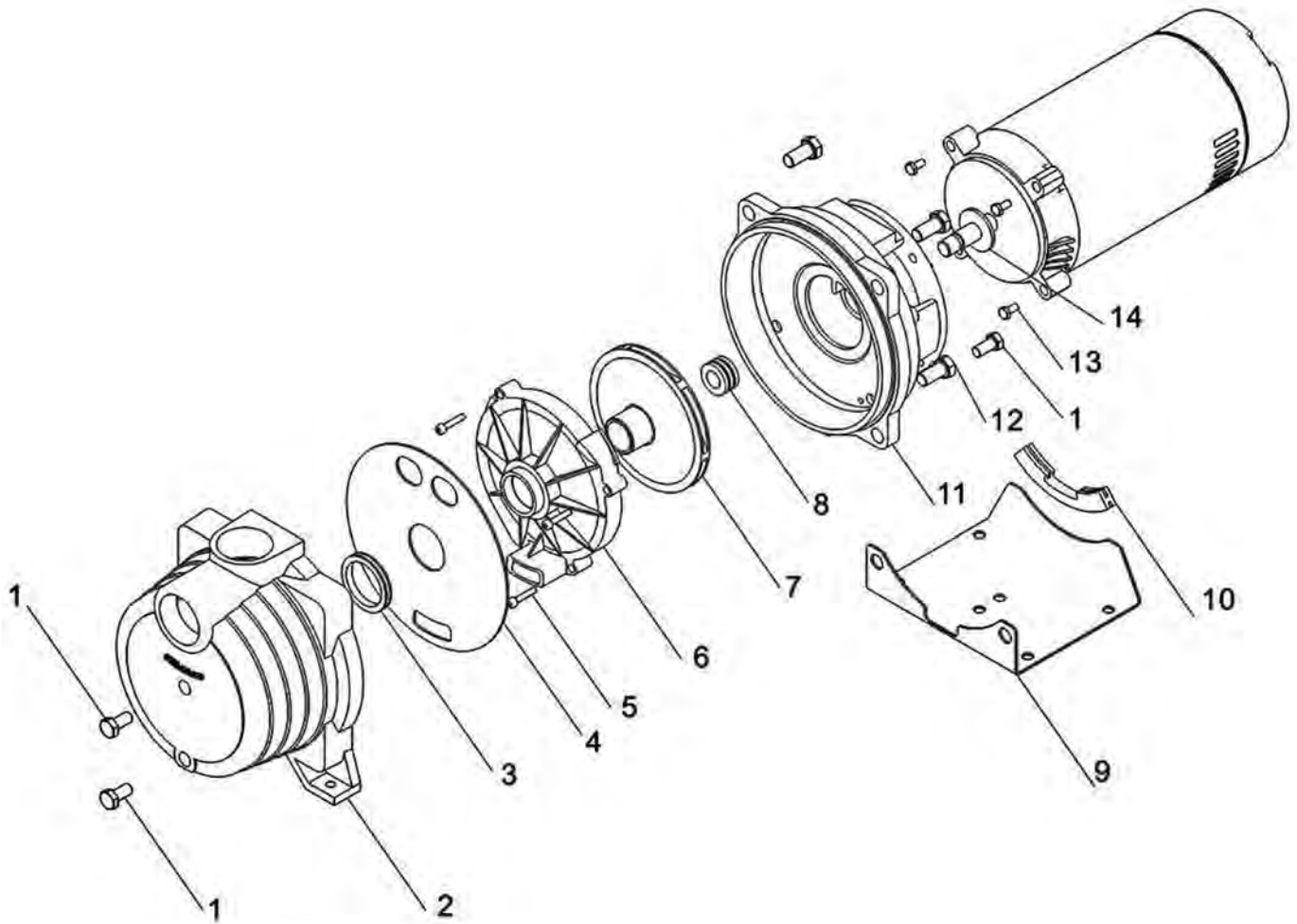
MODEL	L
SPI 7	19.69
SPI 10	19.69
SPI 15	20.5
SPI 20	20.5

Note : The above dimensions unit is Inch (In.)

EXPLODED DRAWING AND SPARE PARTS

1	Cas nail	NPT 1/4" , Zinc plated
2	Pump body	HT 200
3	Separator plate seal ring	Rubber
4	Separator plate	NBR
5	Cross recess head screw	M6X20, S.S
6	Diffuser	PPO
7	Impeller	PPO+20%GF
8	Mechanical seal	Graphite+Geramic
9	Bracket	Gold roller steel
10	Rubber Pad	Rubber
11	Pump cover	HT 200
12	Hexagon blot with full screws	1/2" - 13x30, S, S
13	Hexagon blot with full screws	3/8" - 16x25, S, S
14	Thrower	Heat - Resistance Rubber

NOTE: Other Voltages or frequency 50Hz available on request



SHAKTI PUMPS USA LLC.

740, Florida Central Parkway, Suite # 1008, Longwood, FL 32750, USA, Ph: 407 574 4001, 407 574 2797
E-mail : usa@shaktipumps.com, Visit us at : www.shaktipumps.us